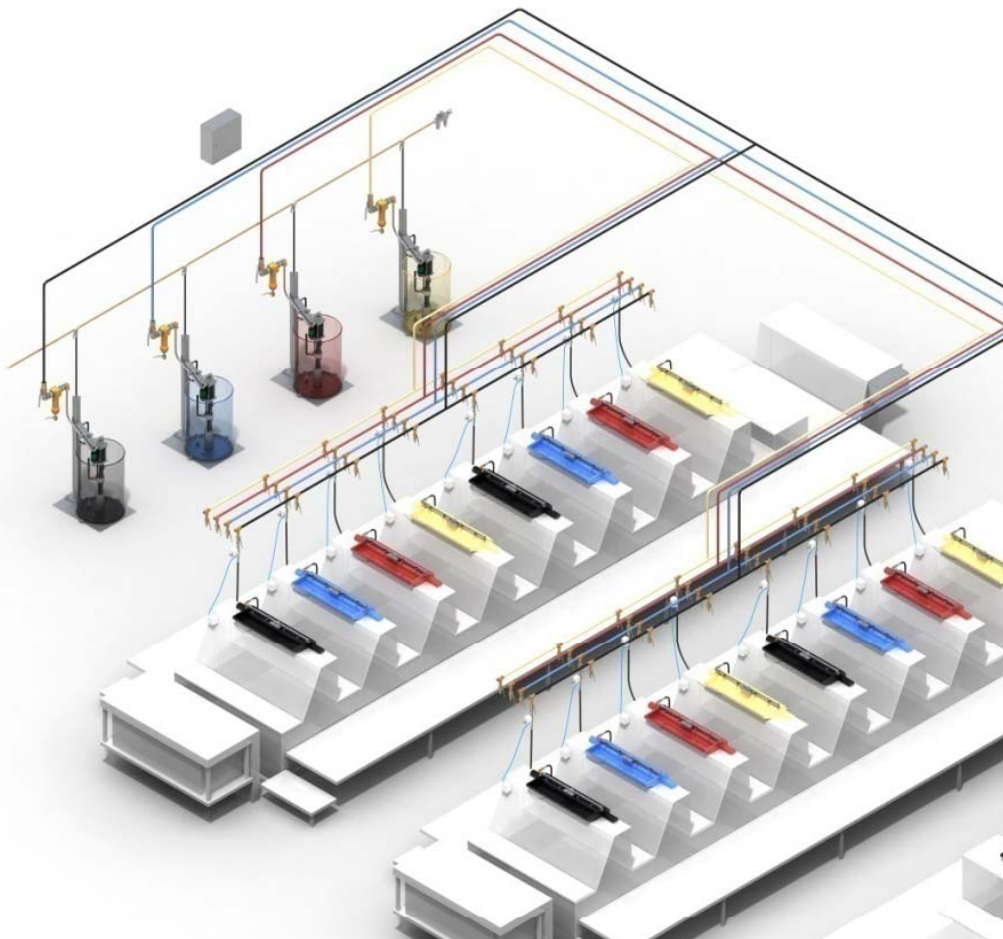


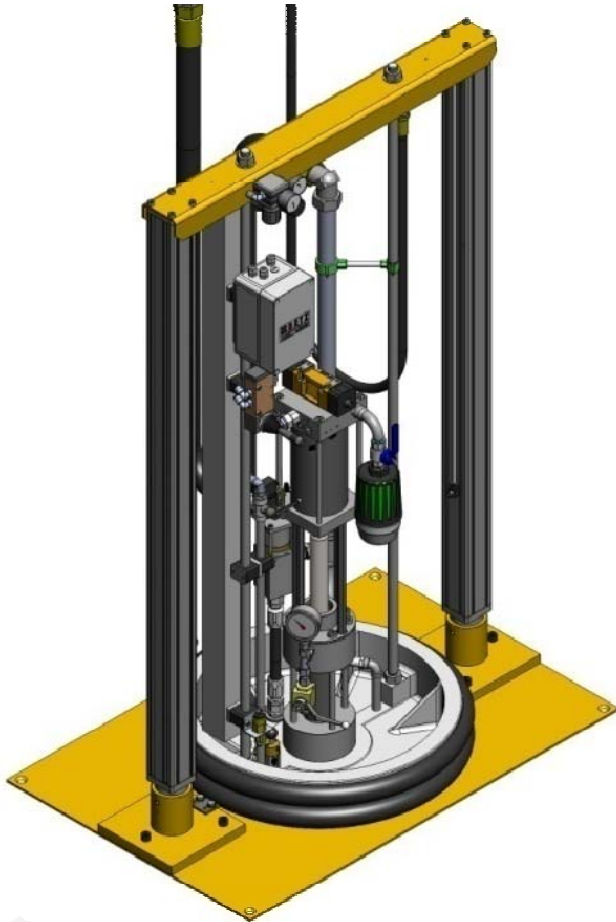
BETZ ColorTrans

UV Ink supply systems

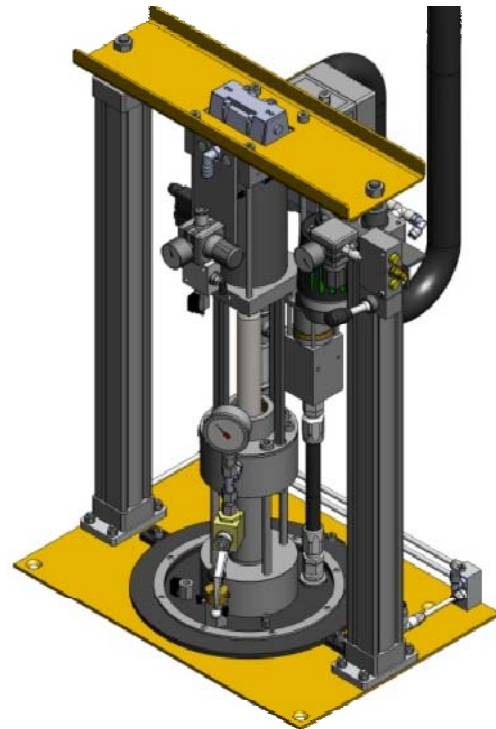


Betz ColorTrans UV – Ink pumps

Ink pumps available for every field of application manufactured in the well-known Betz quality since nearly 35 years



200kg Drum
pump P100/150-
2L/L/UV/DH/20/
V2
Delivery rate /
cycle 154 cm³
Pressure ratio 8:1



Pail can pump
P100/150-
25H/L/UV/DH
Delivery/double
stroke 154 cm³
Pressure ratio 8:1

Betz Ink Supply Systems for UV inks



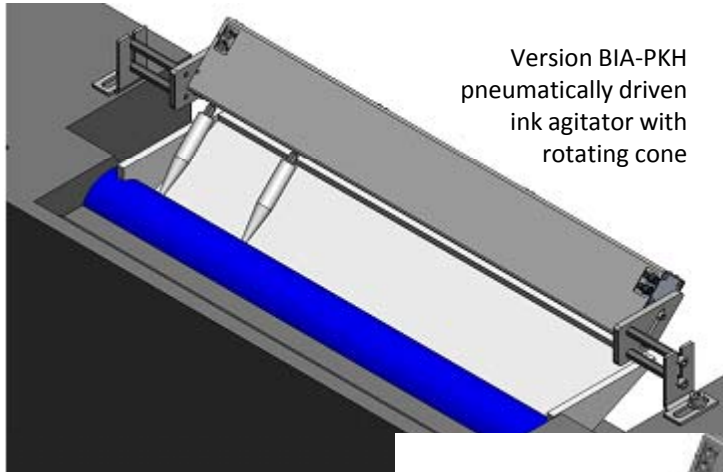
Betz ColorPump UV ink pumps

Betz ink pumps as standard for the UV offset ink field out of 200 kg ink drums and 25 kg pail cans, offers a high, user-friendly operation.

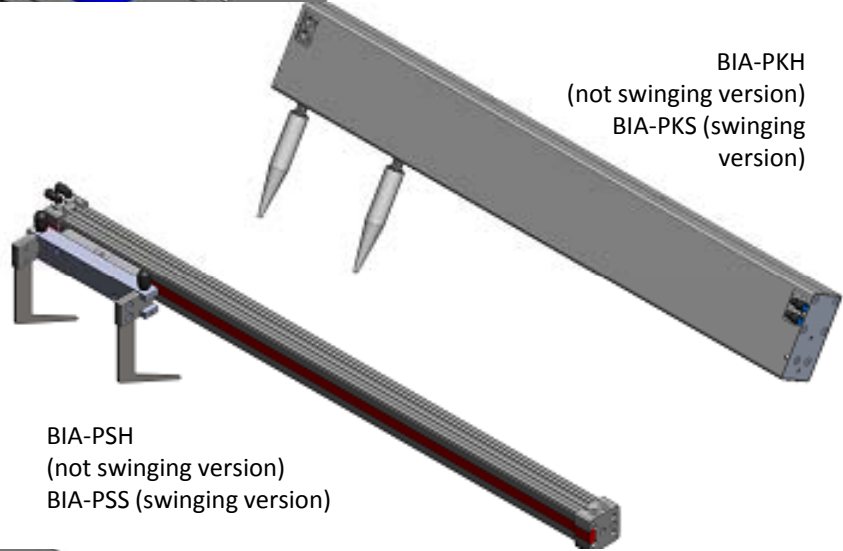


Betz ColorMove BIA Ink agitator

For continuous ink agitating in the ink fountais specially when using UV- resp. high viscosity inks

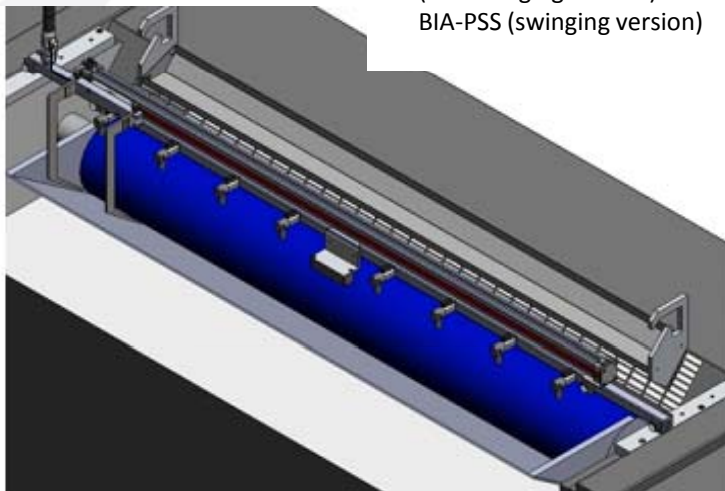


Version BIA-PKH
pneumatically driven
ink agitator with
rotating cone



BIA-PKH
(not swinging version)
BIA-PSH (swinging
version)

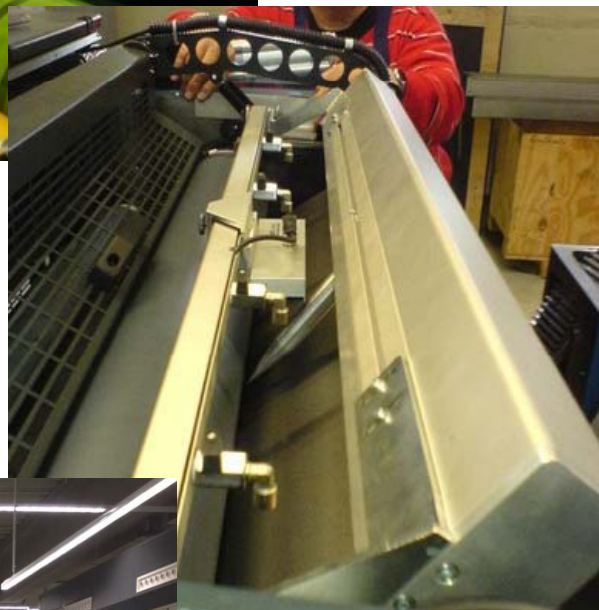
BIA-PSH
(not swinging version)
BIA-PSS (swinging version)



Version BIA-PSH
pneumatically
driven ink agitator
with double scraper blade

Betz ColorMove BIA UV – Ink Agitator

Ink Agitator BIA combined with an Ink Can Dispensing System BCP out from plastic ink cans



The UV filling systems BLS combined with an ink agitator with sweeping blades BIA-PSH and an Ink Leveler BLS



The UV filling systems can combined with an ink agitator with rotating cone BIA-PKS and an Ink Leveler BLS

Betz ColorMove BIA UV – Ink Agitator



Betz Technologies has the most and longest experience in this market segment with world wide Installations.

Customers in Australia, Belgium, Germany, Finland, France, Italy, Japan, Malta, Netherlands, Poland, Russia, Saudi Arabia, Sweden and Turkey already rely on our technique.

Special component parts for the UV pumps permit a failure-free operation in the field of newspaper, commercial web and sheet-fed offset.



Betz Dosing System BMS for UV-Ink!



Betz UV - Pumps for Dosing Systems BMS



Betz UV - Pumps for Dosing Systems BMS



**Betz Ink Supply Systems
for Sheet-fed presses**



Complete installations, maintenance and repair work by our experienced service and assembly team



Tel.: +49 (0) 9391 98 26 – 0
Fax: +49 (0) 9391 98 26 – 50
info@betz.de
www.betz.de

Betz Flow GmbH
Am Obereicholz 4
97828 Marktheidenfeld
Germany

