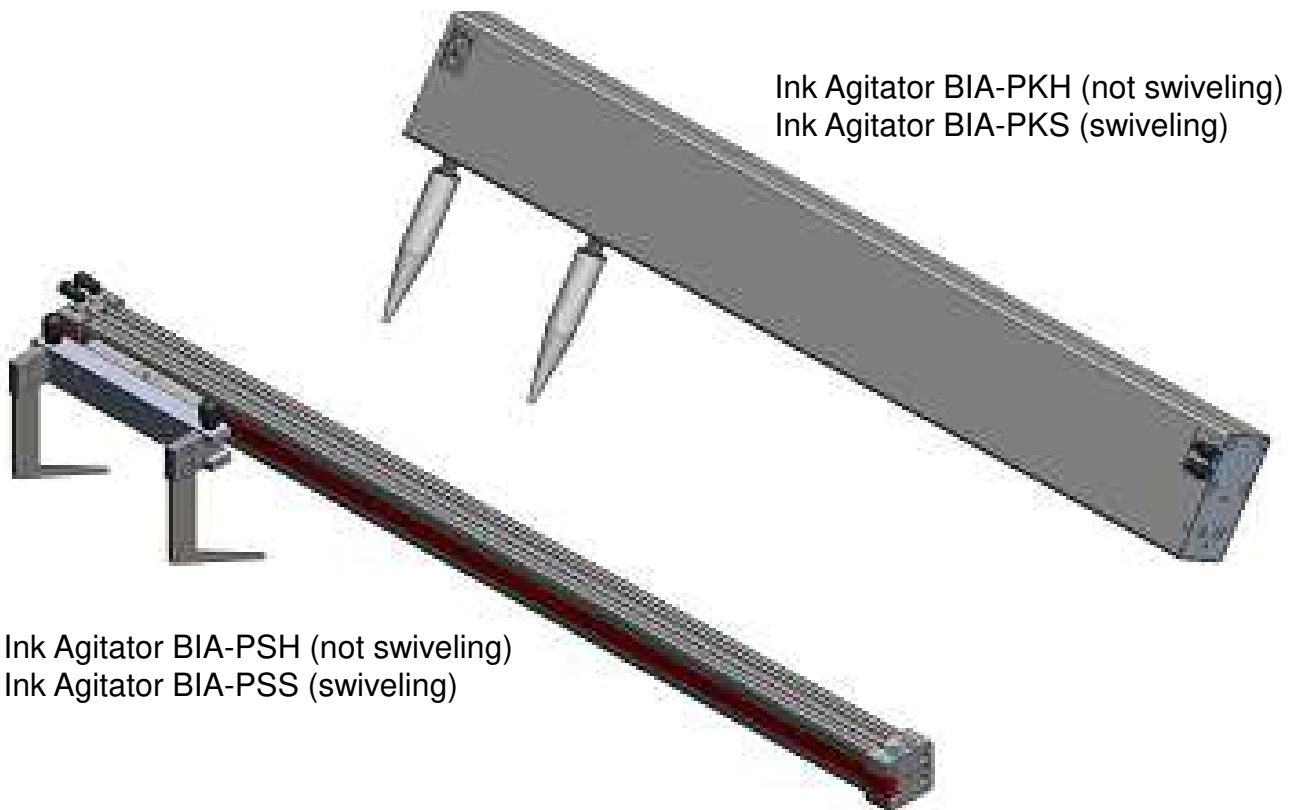
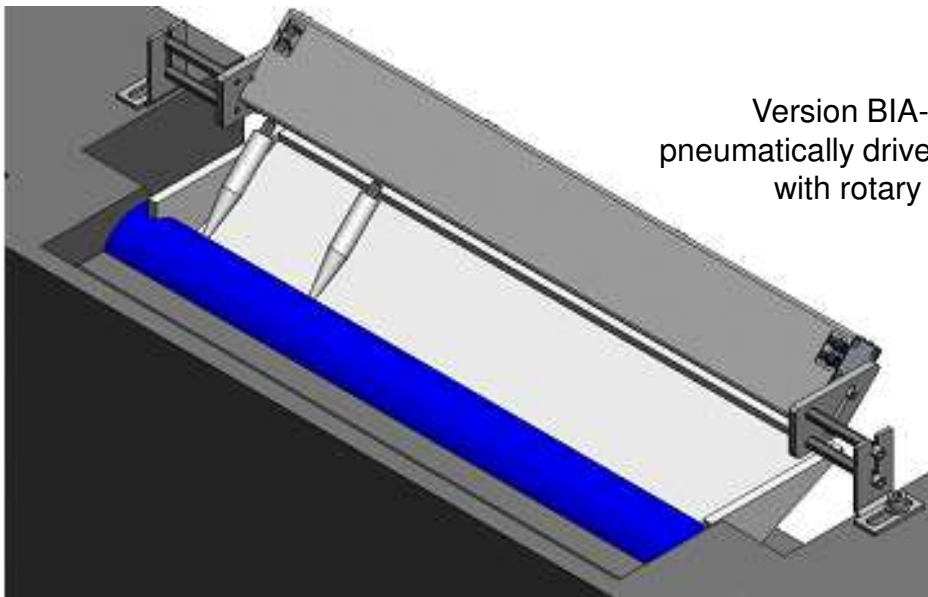


Betz ColorMove Ink Agitator BIA in different version available

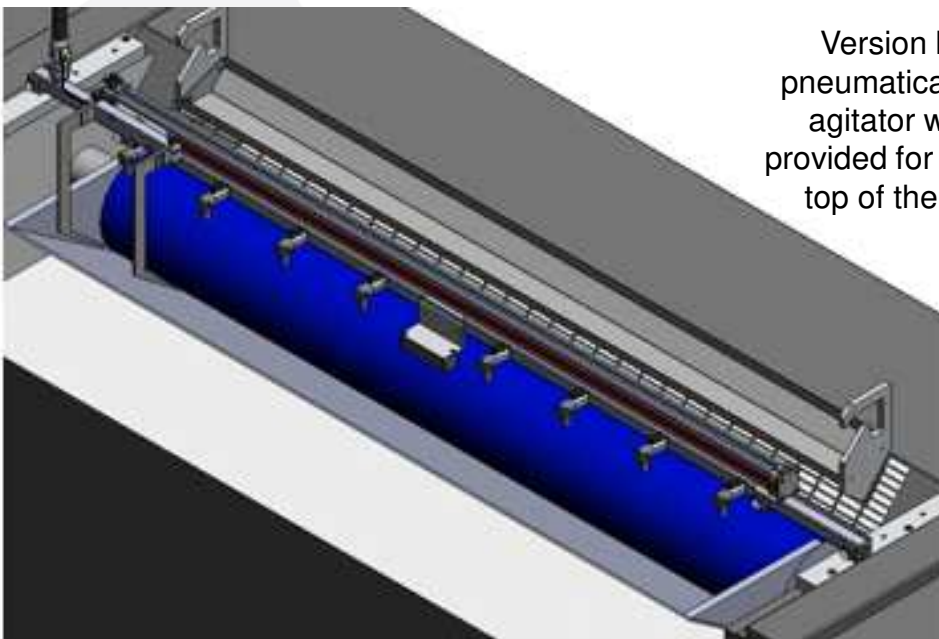


Ink Agitator BIA

For continuously ink agitation throughout full ink fountain width
specially by using UV- or high viscosity inks.
Can also be combined in conjunction with automatic ink leveler



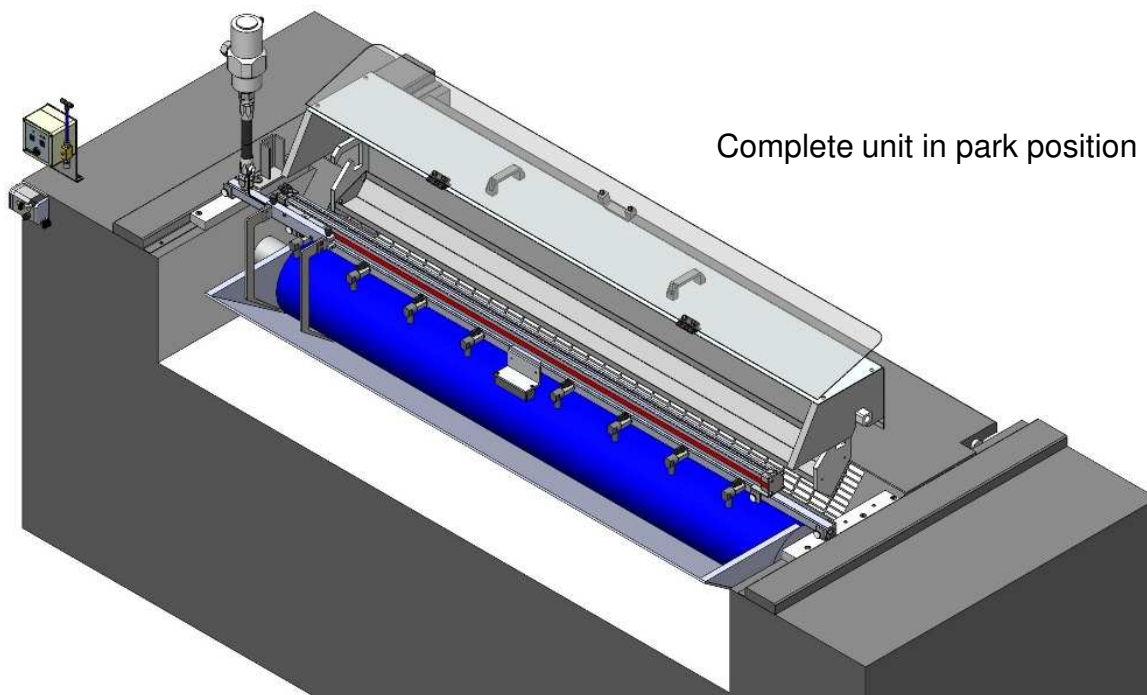
Version BIA-PKH -
pneumatically driven ink agitator
with rotary cone



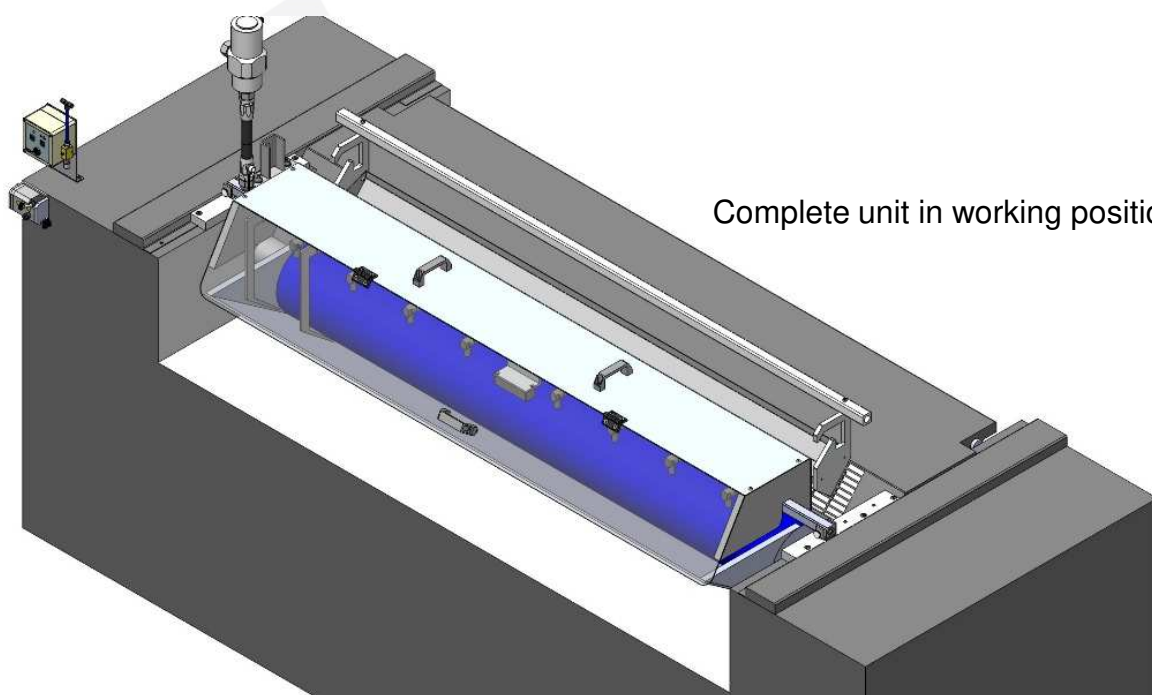
Version BIA-PSH—
pneumatically driven ink
agitator with blades,
provided for installation on
top of the ink leveller

Ink Agitator BIA

Ink agitator BIA-PSH for sensitiv LED-UV Inks,
combined with Ink leveller and protection cover



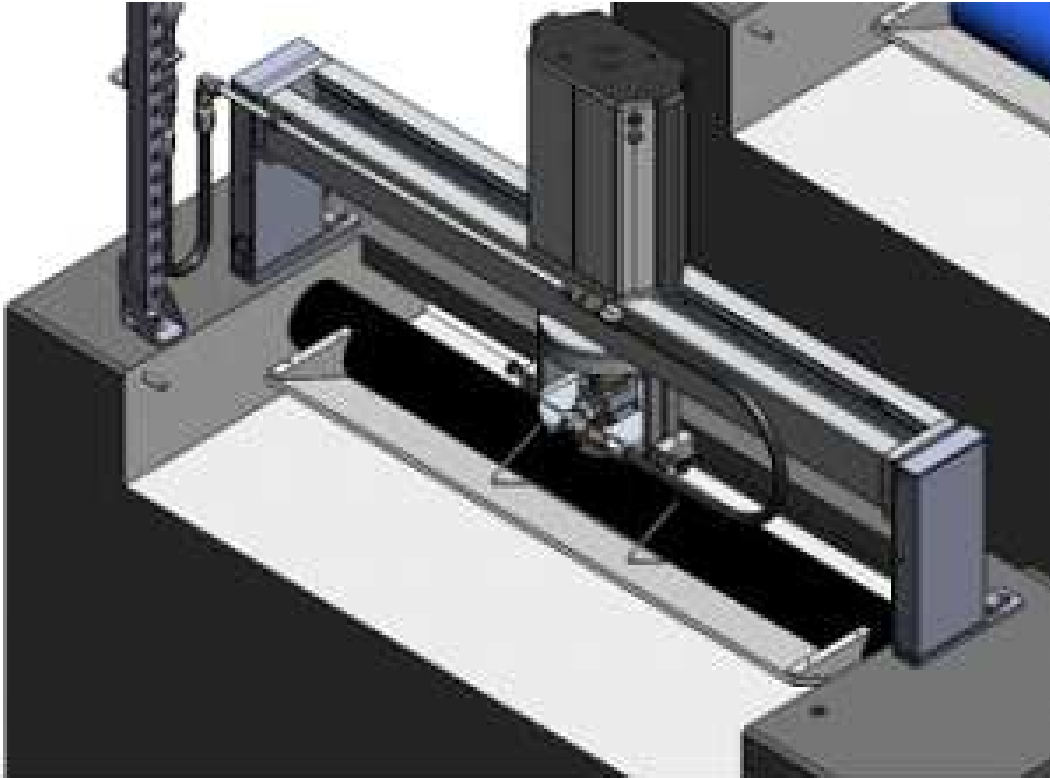
Complete unit in park position



Complete unit in working position

Ink Agitator BIA

Version BIA in combination with the BCP ink can dispensing system



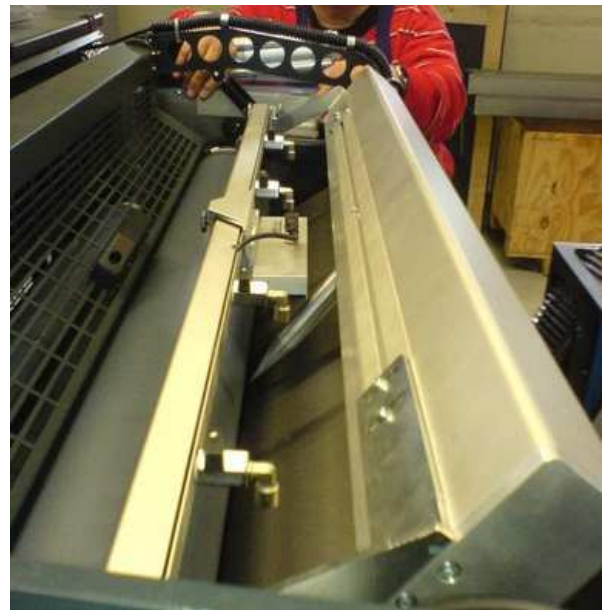
Ink Agitator BIA

Version BIA-PSH in combination with the BCP
ink can dispensing system



Version PKH - pneumatically
driven ink agitator with rotary
cone

BIA-PKH with rotary cone



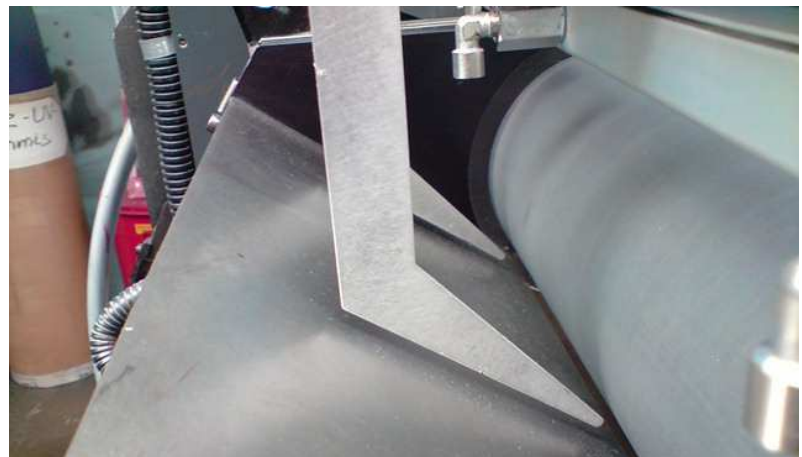
BIA-PSH with blades,
provided for installation on top of the
ink leveller



Ink Agitator BIA

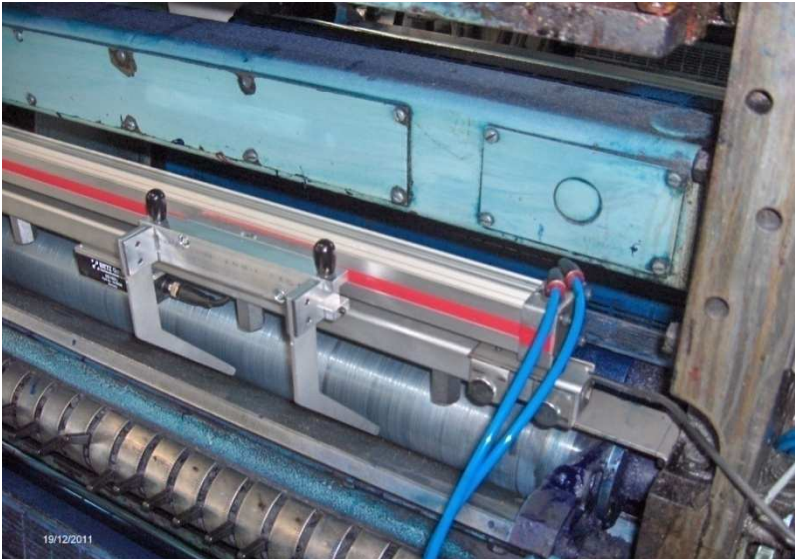


Version BIA-PSH –
pneumatically driven ink
agitator with blades,
provided for installation on
top of the ink leveller



Ink Agitator BIA

Ink Agitator BIA-PS on a Newspaper press



Version BIA-PSH
pneumatically driven ink
agitator with blades,
provided for installation on top
of the ink leveller



BIA pneumatic connecting box





Installation and maintenance via our experienced service and assembly team



Tel.: +49 (0) 9391 98 26 – 0
Fax: +49 (0) 9391 98 26 – 50
info@betz-technologies.de
www.betz-technologies.de

Betz Flow GmbH
Am Obereicholz 4
97828 Mar ktcheidenfeld
Germany

